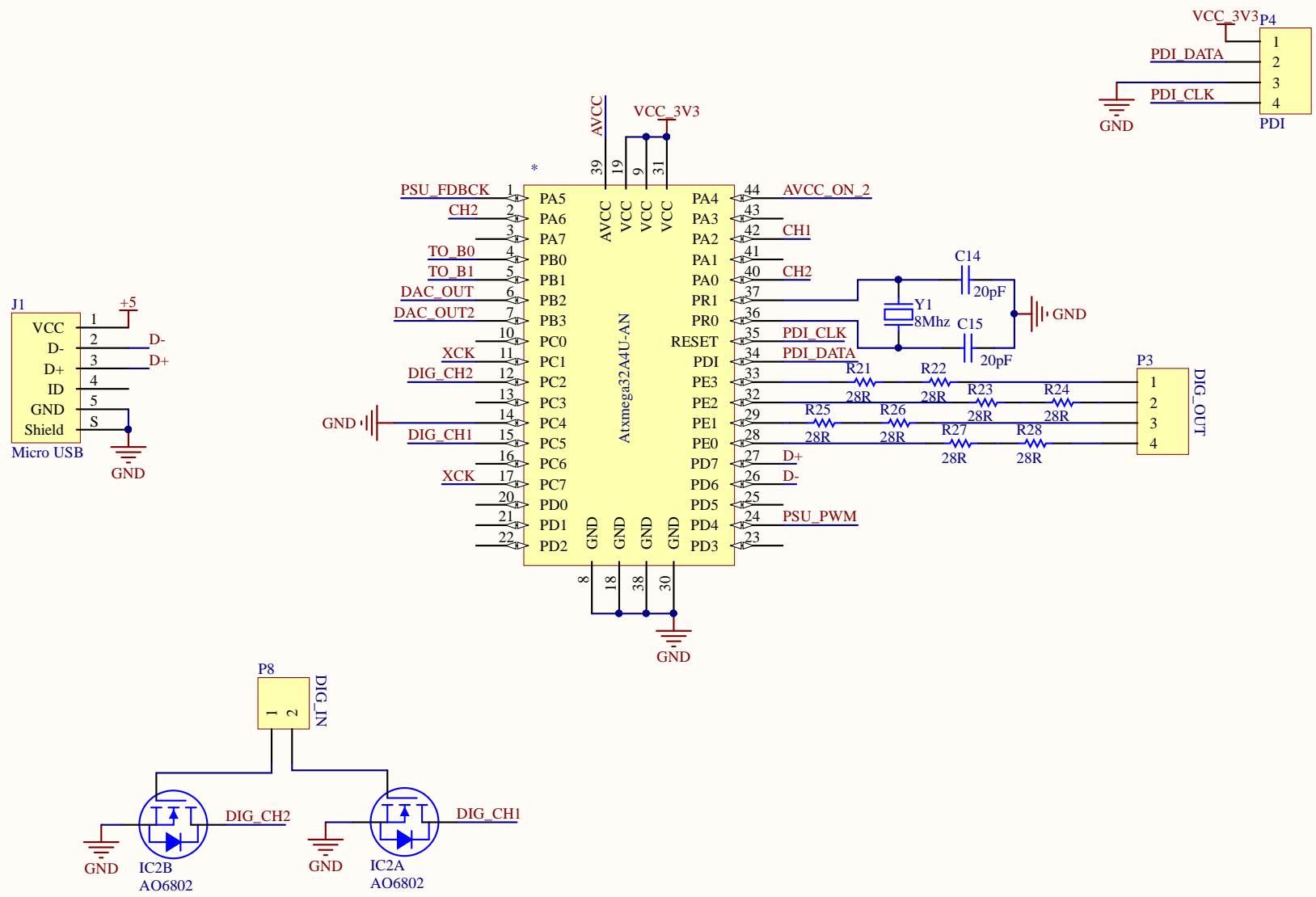
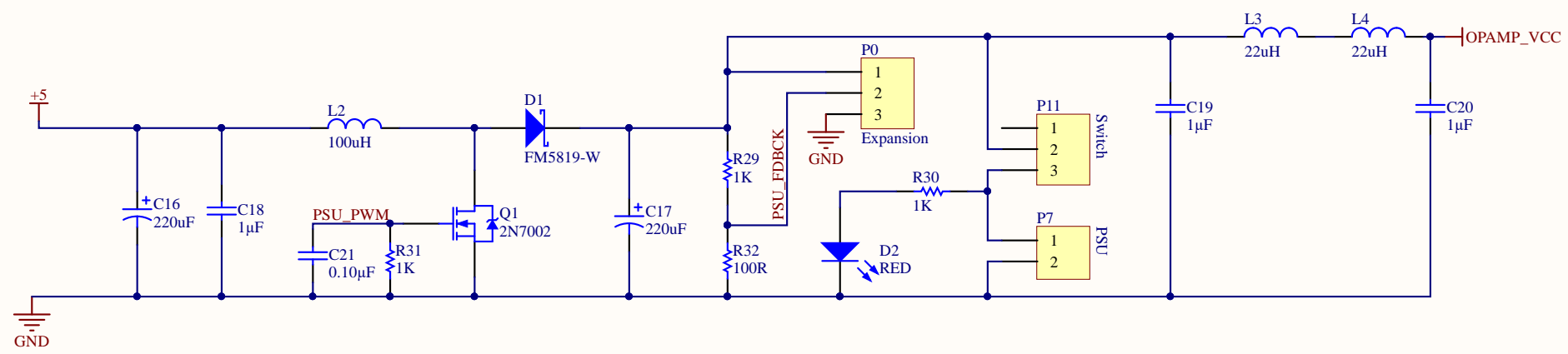
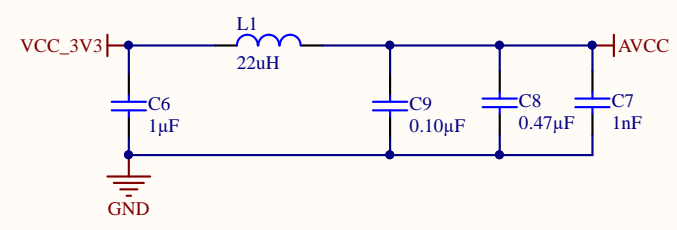
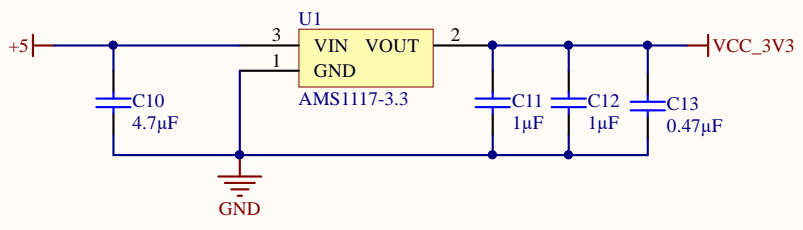


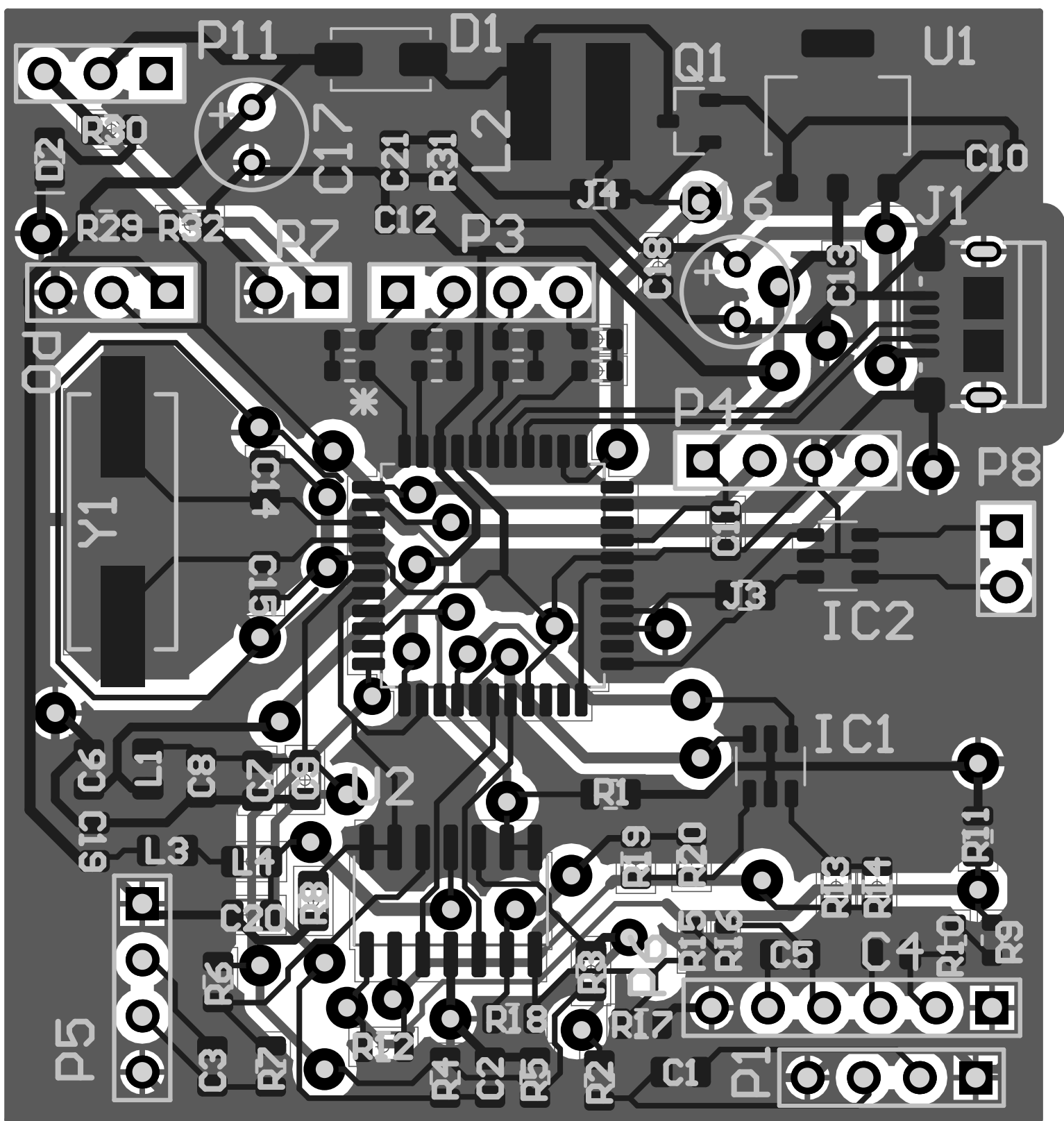
Title		
Size	Number	Revision
A		
Date:	11/22/2018	Sheet of
File:	E:\Labrador\PCB\AltiumPCB\Analog.SchDoc	
	Drawn By:	



Title		
Size	Number	Revision
A		
Date:	11/22/2018	Sheet of
File:	E:\Labrador\...Labrador.SchDoc	Drawn By:



Title		
Size	Number	Revision
A		
Date:	11/22/2018	Sheet of
File:	E:\Labrador\PCB\AltiumPCB\Power.SchDoc Drawn By:	



Boards