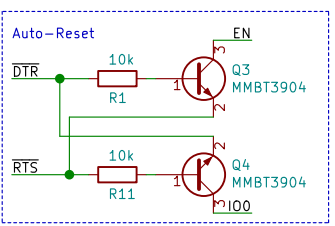
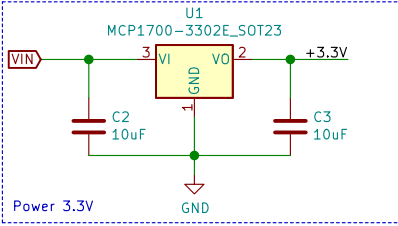
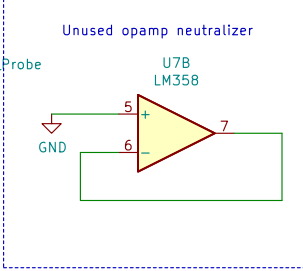
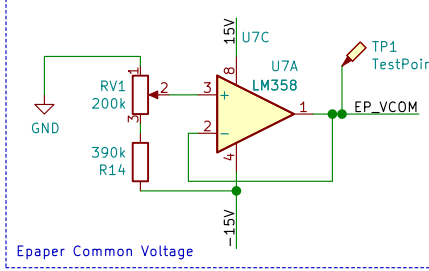
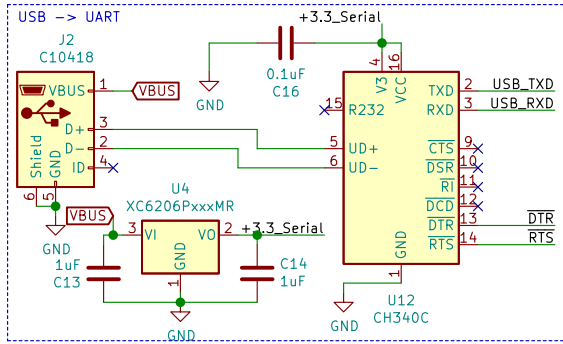


SMPS Power +22V, -20V

SMPS Power +22V, -20V



Author: Valentin Roland
 License: CC-BY-SA-4.0

Sheet: /
 File: epaper-breakout.sch

Title: epdiy

Size: A3	Date: 2020-12-21	Rev: v5.0
KiCad E.D.A. kicad 5.1.9		Id: 1/1